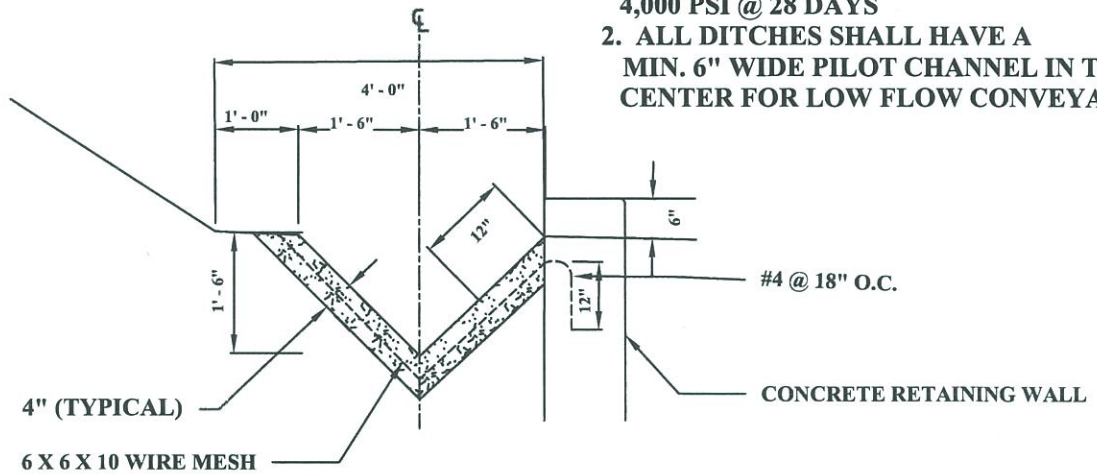


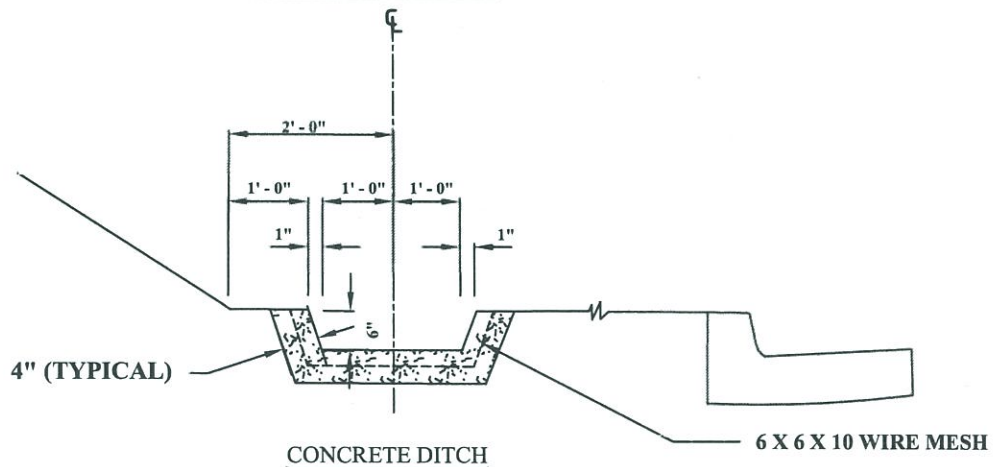
6 - FOOT BENCH WITH  
CONCRETE DITCH

**NOTE:**

1. CONCRETE COMPRESSIVE STRENGTH SHALL BE MIN. 4,000 PSI @ 28 DAYS
2. ALL DITCHES SHALL HAVE A MIN. 6" WIDE PILOT CHANNEL IN THE CENTER FOR LOW FLOW CONVEYANCE.



DITCH AT TOP  
OF RETAINING WALL



CONCRETE DITCH

NOT TO SCALE

APPROVED  
*David A.*

CITY ENGINEER

7/5/2018

DATE



CITY OF GALVESTON, TX  
ENGINEERING DIVISION  
MAY 2017

REINFORCED CONCRETE DITCH